

# PU-6ALSF Piezoelectric-Type Pick-up Specification

## 1.Type

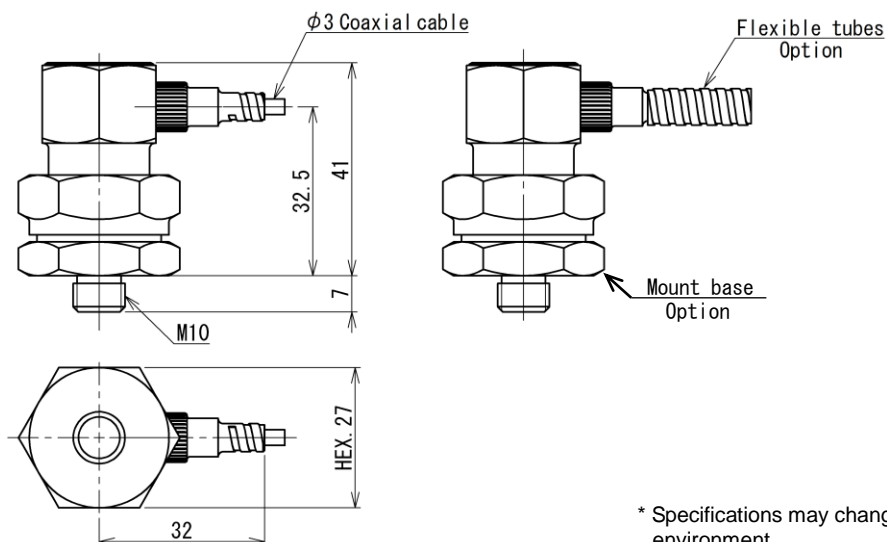
PU-6ALSF-  -

Basic      1      2      3      4

1	Cable length	5	5m
		10	10m
		20	20m
2	Preservation of cable	N	Non-protection
		F	With protection (Flexible tubes made of stainless steel: 7mm Diameter)
3	Cable terminal	F	Free
		T	Solderless terminal ( $\phi 3$ , Ring terminal)
		A	MK-21 connector
		C	MK-210 connector
		D	MK-220 connector
4	Mount base	(space)	Non mount base
		-B	With mount base

## 2.Specifications

(1) Sensitivity	5.1mV/(m/s <sup>2</sup> ) (50mV/G) $\pm 10\%$
(2) Frequency range ( $\pm 3$ dB)	5 to 7,000Hz
(3) Maximum measuring acceleration	490m/s <sup>2</sup> (50G)
(4) Shock survivability	9,800m/s <sup>2</sup> (1,000G) Peak
(5) Mounted resonance frequency	15kHz min.
(6) Operating temperature range	-10 to +80°C
(7) Preserve temperature range	-15 to +85°C
(8) Weight	126g
(9) Case material	SUS303
(10) Cable	$\phi 3$ Coaxial cable (polyethylene-coated)
(11) Mounting	JIS M10, Length 7mm
(12) Amplifier	Preamplifier built-in
(13) Excitation voltage	+12 to +25VDC
(14) Constant current excitation	+0.4 to +5.1mA
(15) Output bias voltage	+4.75 to +9.20VDC
(16) Electrical isolation	Case isolated
(17) Protection against ingress of water	IPX7



\* Specifications may change depending on usage environment.